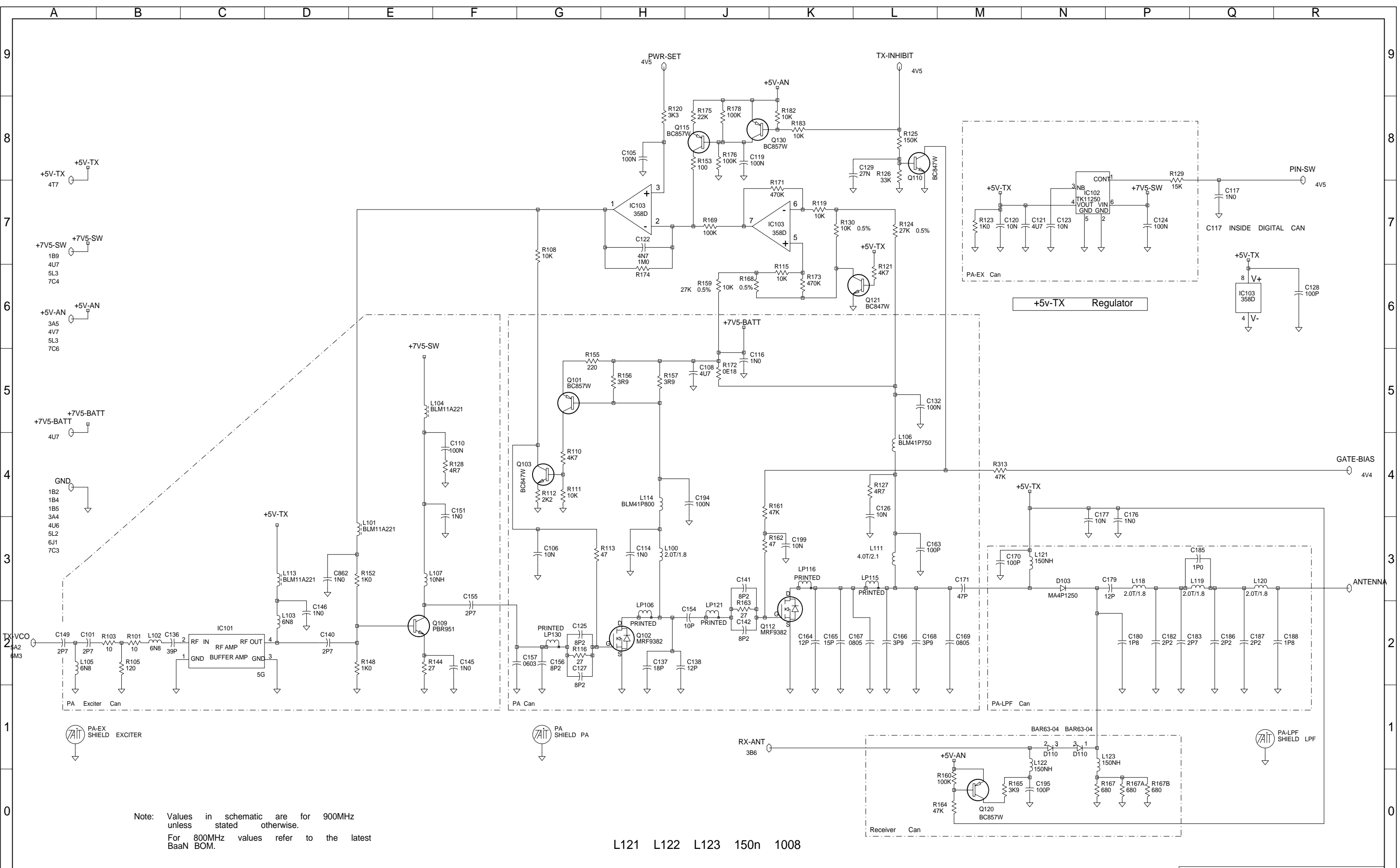


03C	REGENERATED PLA CCO. 1610-006	BRD	SP	CK	DW	29-11-99				
03B	VALUE CHANGES CCO. 1610-005	BRD	SP	CK	DW	02/11/99				
03A	CCN NO.1610/003	BRD				13/10-99				
02D	REGENERATE PLC & PLA FILES CCN No.1610-002	TS				05-10-99				
02C	4 SP.PINS NOW SMD. SEALS NONSMD CCN No.1610-001	TS				17-09-99				
02B	REFRESHED SAFC957/860 & 0E18U	BRD				02/07/99				
REV/ISS	AMENDMENTS	DRAWN	CHKD	D.O.	APVD	DATE				
		05A		CCO NO. 1610-009		BRD				17-04-01
		04A		CCO NO. 1610-008		BRD				08-12-00

05A	CCO NO. 1610-009	BRD				17-04-01
04A	CCO NO. 1610-008	BRD				08-12-00



© TAIT ELECTRONICS			
ORCA TOP:800/900MHZ SYSTEM DIAGRAM			
IPN: 220-01610-05	ISSUE: A	ID: 2.S.C. 1	
PROJECT: ORCA	DESIGNER: BRD	FILE NAME: 161005a	FILE DATE: 18-Apr-01
			NO.SHEETS: 7

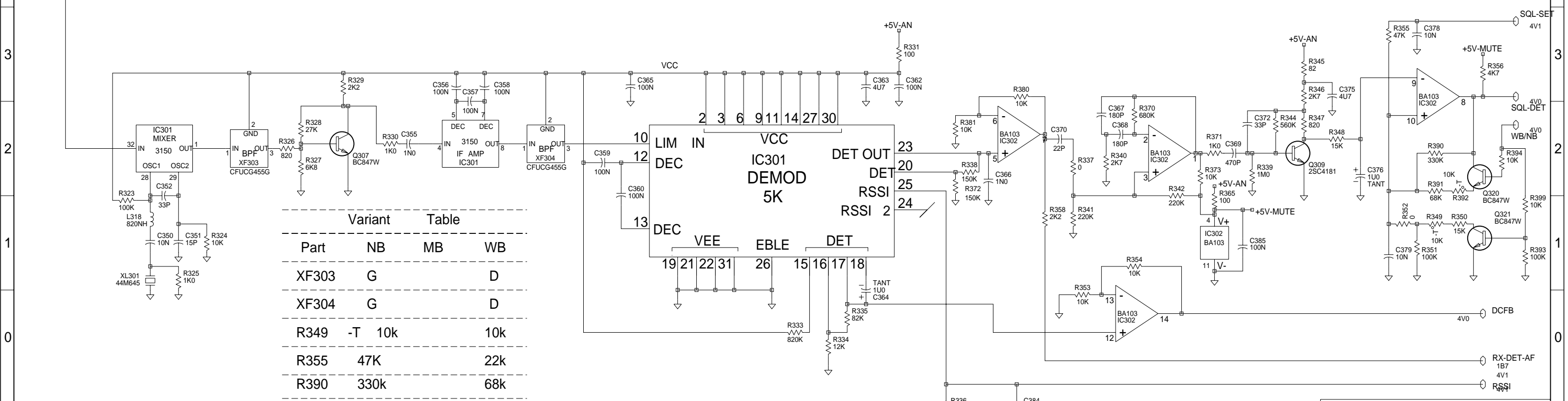
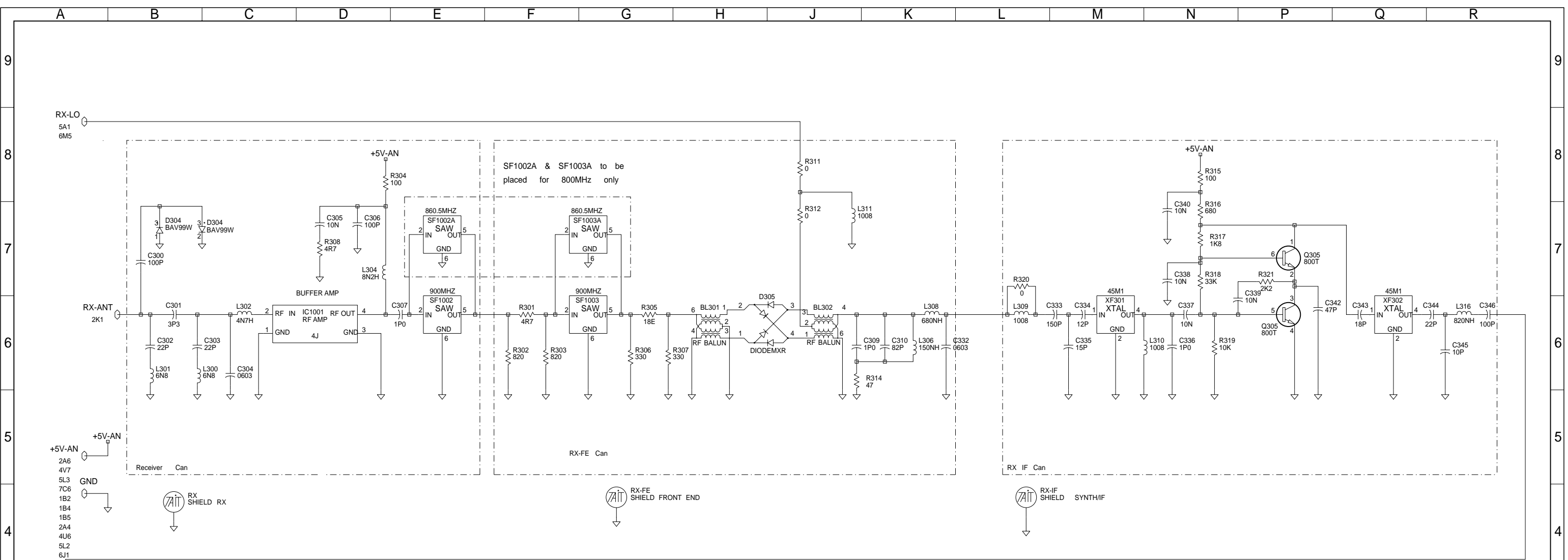


L121 L122 L123 150n 1008

Note: Values in schematic are for 900MHz unless stated otherwise.
For 800MHz values refer to the latest BaaN BOM.

TAIT ELECTRONICS			
ORCA TOP:800/900MHZ POWER AMPLIFIER			
IPN: 220-01610-05	ISSUE: A	ID: 2.S.C. 2	
PROJECT: ORCA	DESIGNER: BRD	FILE NAME: 161005a	FILE DATE: 18-Apr-01
			NO.SHEETS: 7

REV/ISS	AMENDMENTS	DRAWN	CHKD	D.O.	APVD	DATE
A						

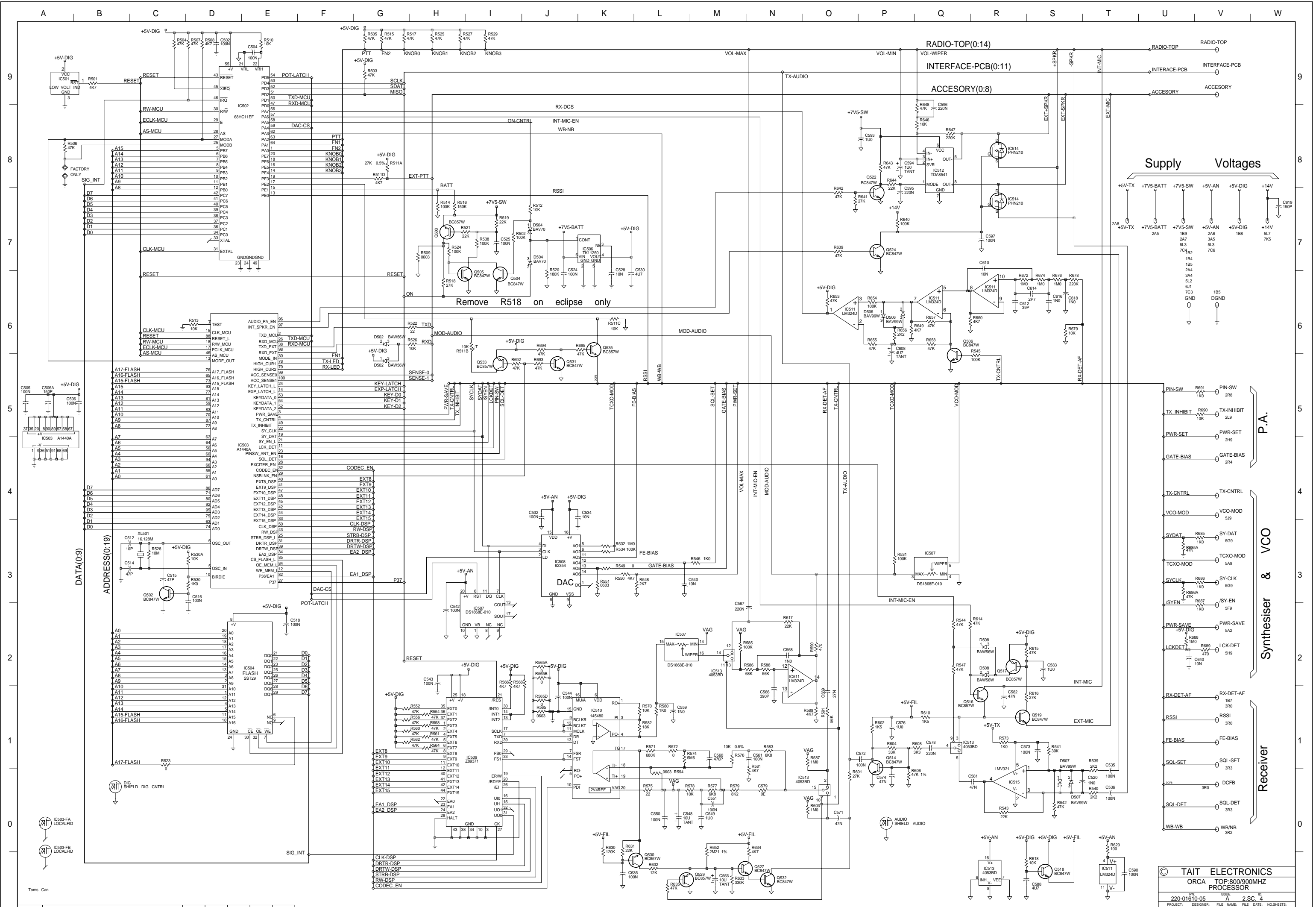


Variant Table

Part	NB	MB	WB
XF303	G		D
XF304	G		D
R349	-T	10k	10k
R355	47K		22k
R390	330k		68k
C369	470p		330P

© TAIT ELECTRONICS
 ORCA TOP:800/900MHZ RECEIVER
 IPN: 220-01610-05 ISSUE: A ID: 2.S.C. 3
 PROJECT: ORCA BRD DESIGNER: 161005a FILE NAME: 18-Apr-01 NO.SHEETS: 7

REV/ISS	AMENDMENTS	DRAWN	CHKD	D.O.	APVD	DATE
A						



Supply Voltages

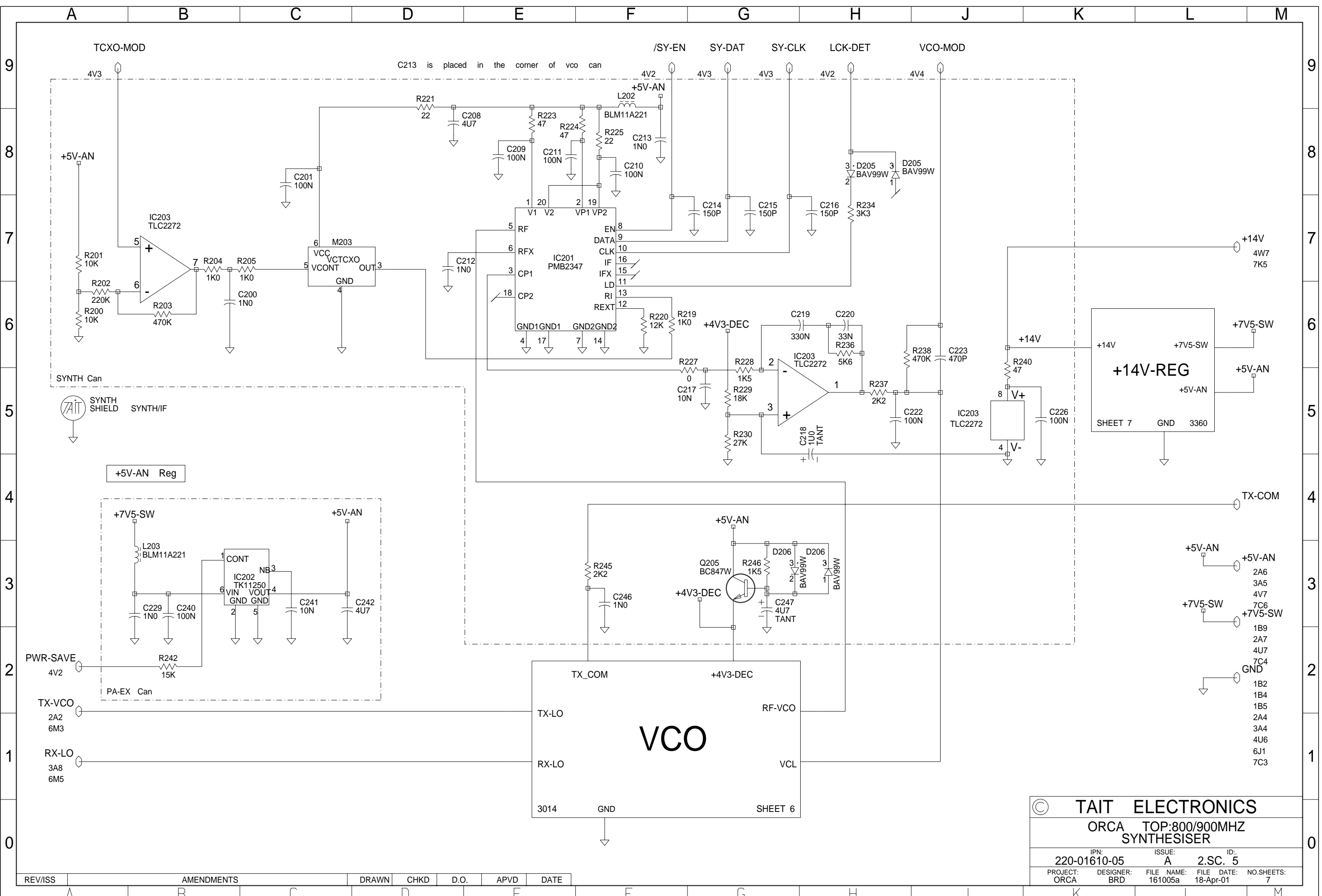
+5V-TX	+7V5-BATT	+7V5-SW	+5V-AN	+5V-DIG	+14V
2A5	2A5	1B9	2A6	1B8	5L7
		5L3	3A5		7K5
		7C4	5L3		
		1B2	7C8		
		1B4			
		1B5			
		2A4			
		3A4			
		5L2			
		5J1			
		7C3			
		GND			
		DGND			

- P.A.**
- PIN-SW 2R8
 - TX-INHIBIT 2L9
 - PWR-SET 2H9
 - GATE-BIAS 2R4

- Synthesiser & VCO**
- TX-CNTRL 5J9
 - VCO-MOD 5J9
 - SY-DAT 5G9
 - TCXO-MOD 5A9
 - SY-CLK 5G9
 - SY-EN 5F9
 - PWR-SAVE 5A2
 - LCK-DET 5H9

- Receiver**
- RX-DET-AF 3R0
 - RSSI 3R0
 - FE-BIAS 3R3
 - SOL-SET 3R3
 - DCFB 3R0
 - SOL-DET 3R3
 - WB-WB 3R2

© TAIT ELECTRONICS
 ORCA TOP:800/900MHZ
 PROCESSOR
 220-01610-05
 2-SC-4
 PROJECT: DESIGNER: FILE NAME: FILE DATE: NO SHEETS: 7
 ORCA BRD 161005A 18-Apr-01



© TAIT ELECTRONICS
 ORCA TOP:800/900MHZ SYNTHESIZER
 IPN: 220-01610-05 ISSUE: A ID: 2.SC. 5
 PROJECT: ORCA DESIGNER: BRD FILE NAME: 161005a FILE DATE: 18-Apr-01 NO.SHEETS: 7

REV/ISS	AMENDMENTS	DRAWN	CHKD	D.O.	APVD	DATE

VCO
 3014 GND SHEET 6

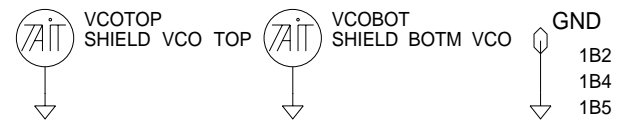
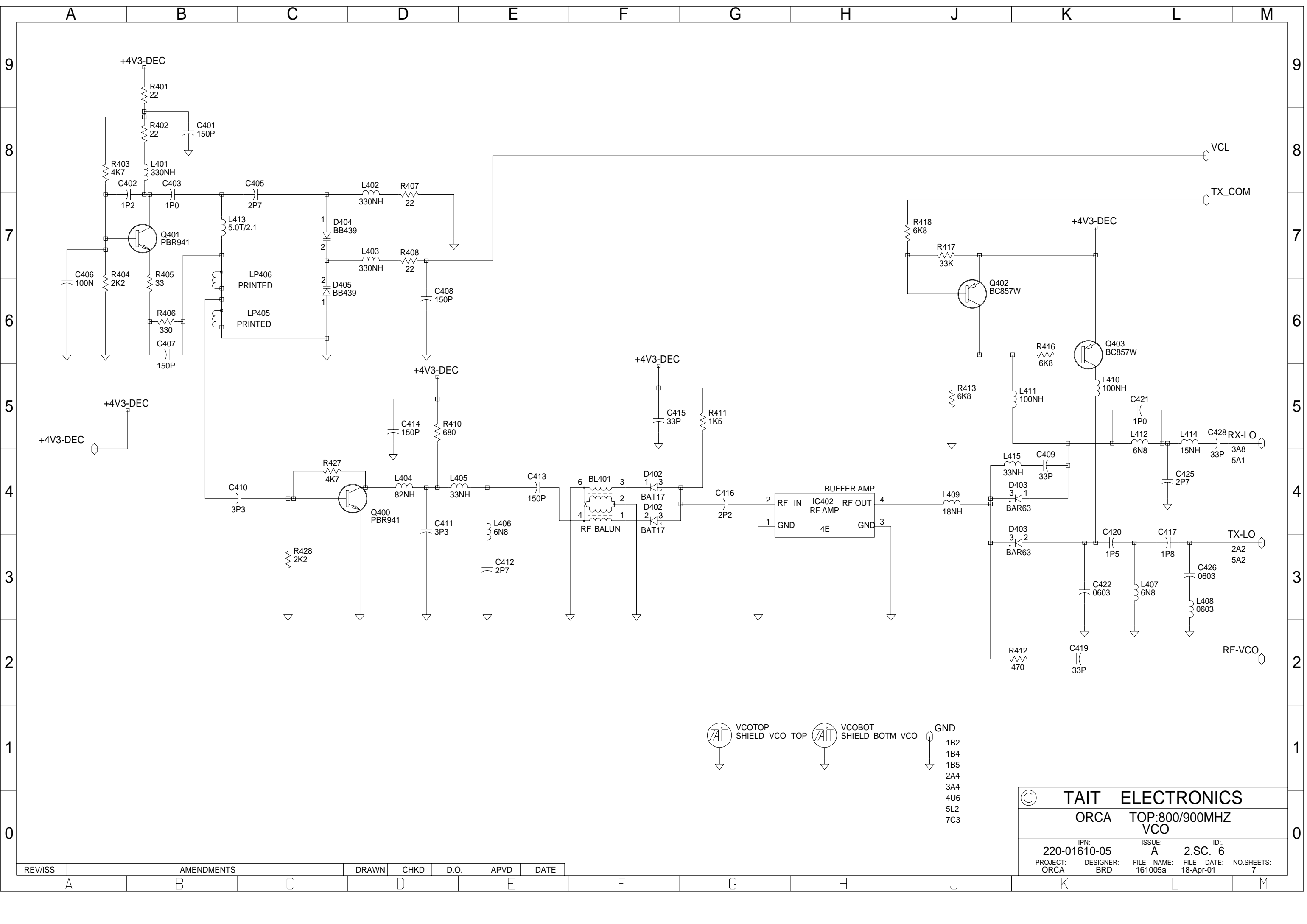
+14V-REG
 SHEET 7 GND 3360

+5V-AN Reg

PA-EX Can

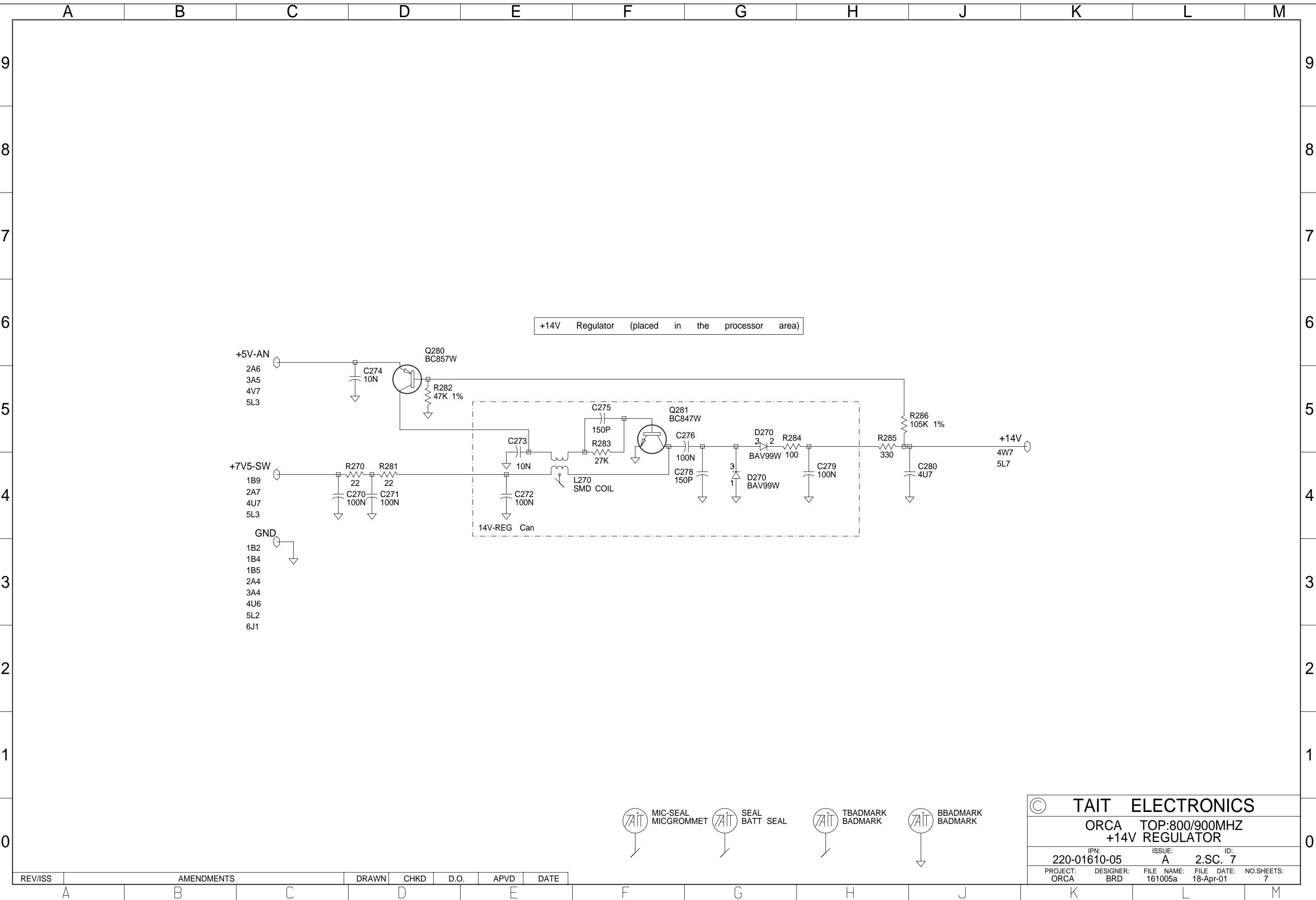
SYNTH Can
 SYNTH SHIELD SYNTH/IF

C213 is placed in the corner of vco can

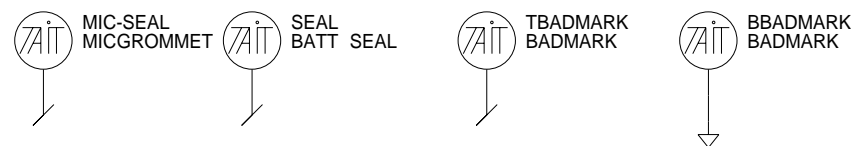


© TAIT ELECTRONICS				
ORCA TOP:800/900MHZ VCO				
IPN:	ISSUE:	ID:		
220-01610-05	A	2.SC. 6		
PROJECT:	DESIGNER:	FILE NAME:	FILE DATE:	NO.SHEETS:
ORCA	BRD	161005a	18-Apr-01	7

REV/ISS	AMENDMENTS	DRAWN	CHKD	D.O.	APVD	DATE

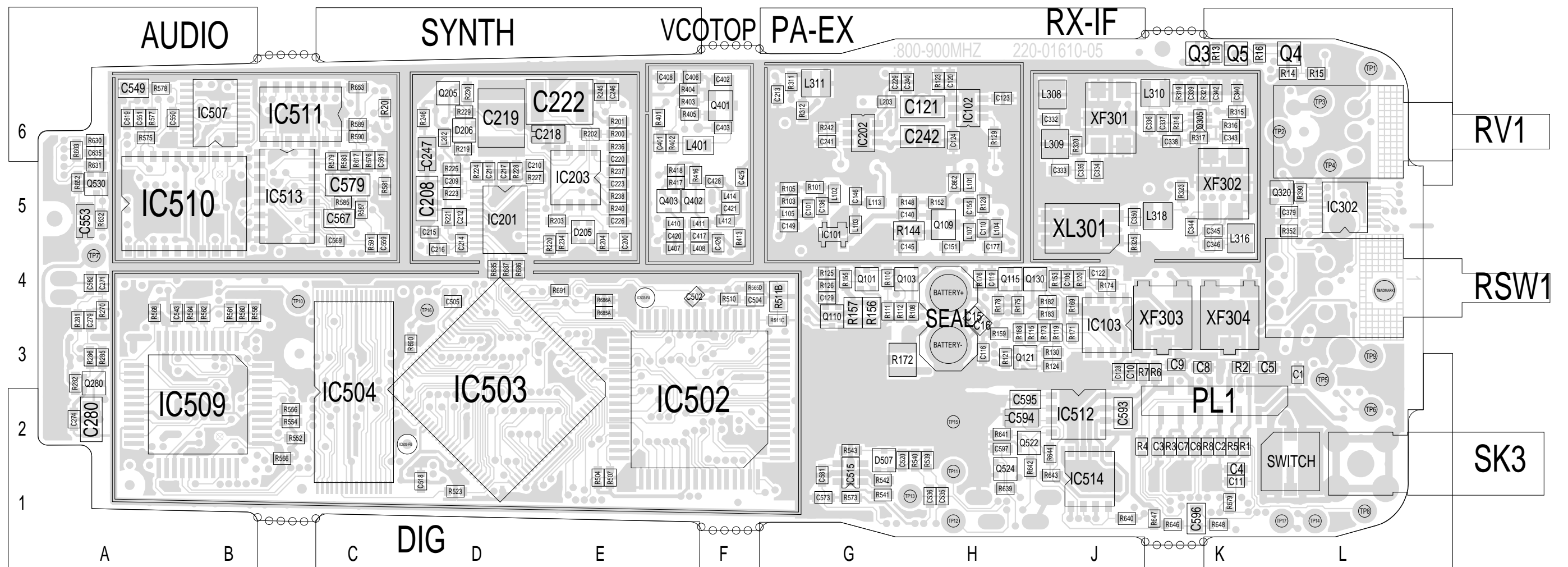


+14V Regulator (placed in the processor area)

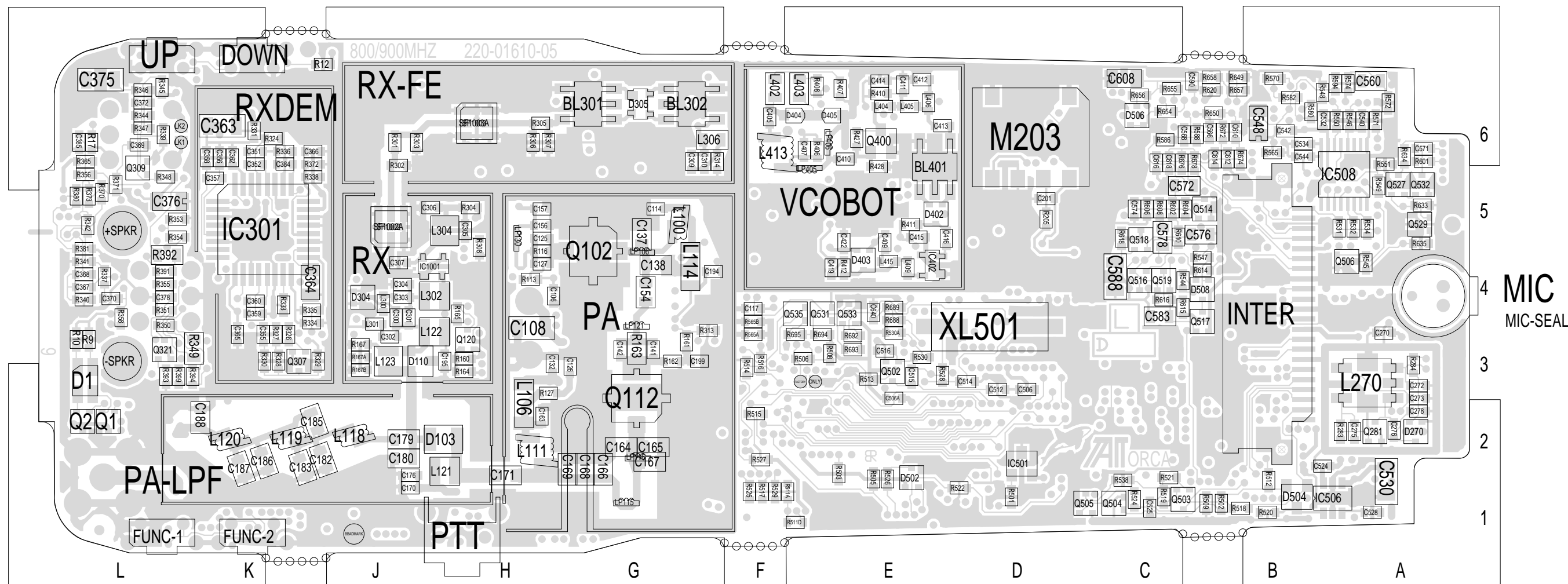


© TAIT ELECTRONICS				
ORCA TOP:800/900MHZ +14V REGULATOR				
IPN:	ISSUE:	ID:		
220-01610-05	A	2.SC. 7		
PROJECT:	DESIGNER:	FILE NAME:	FILE DATE:	NO.SHEETS:
ORCA	BRD	161005a	18-Apr-01	7

REV/ISS	AMENDMENTS	DRAWN	CHKD	D.O.	APVD	DATE
---------	------------	-------	------	------	------	------



TAIT ELECTRONICS IPN: 220-01610-05 ISS: A ID: 1.TA DATE: 3 May 2001
 :800-900MHZ PCB LAYOUT - TOP SIDE



TAIT ELECTRONICS IPN: 220-01610-05 ISS: A ID: 6.BA DATE: 3 May 2001
 :800-900MHZ PCB LAYOUT - BOTTOM SIDE